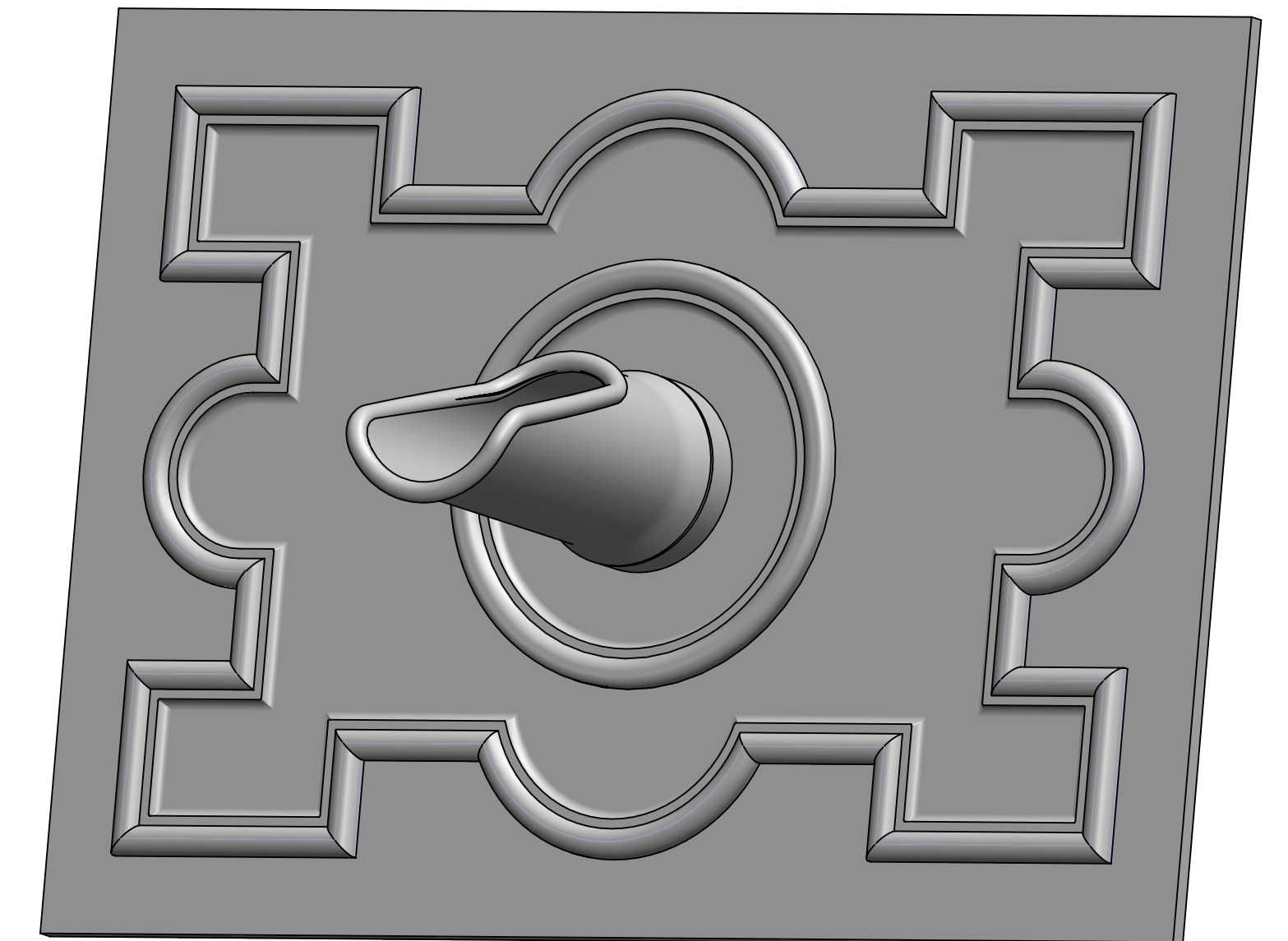
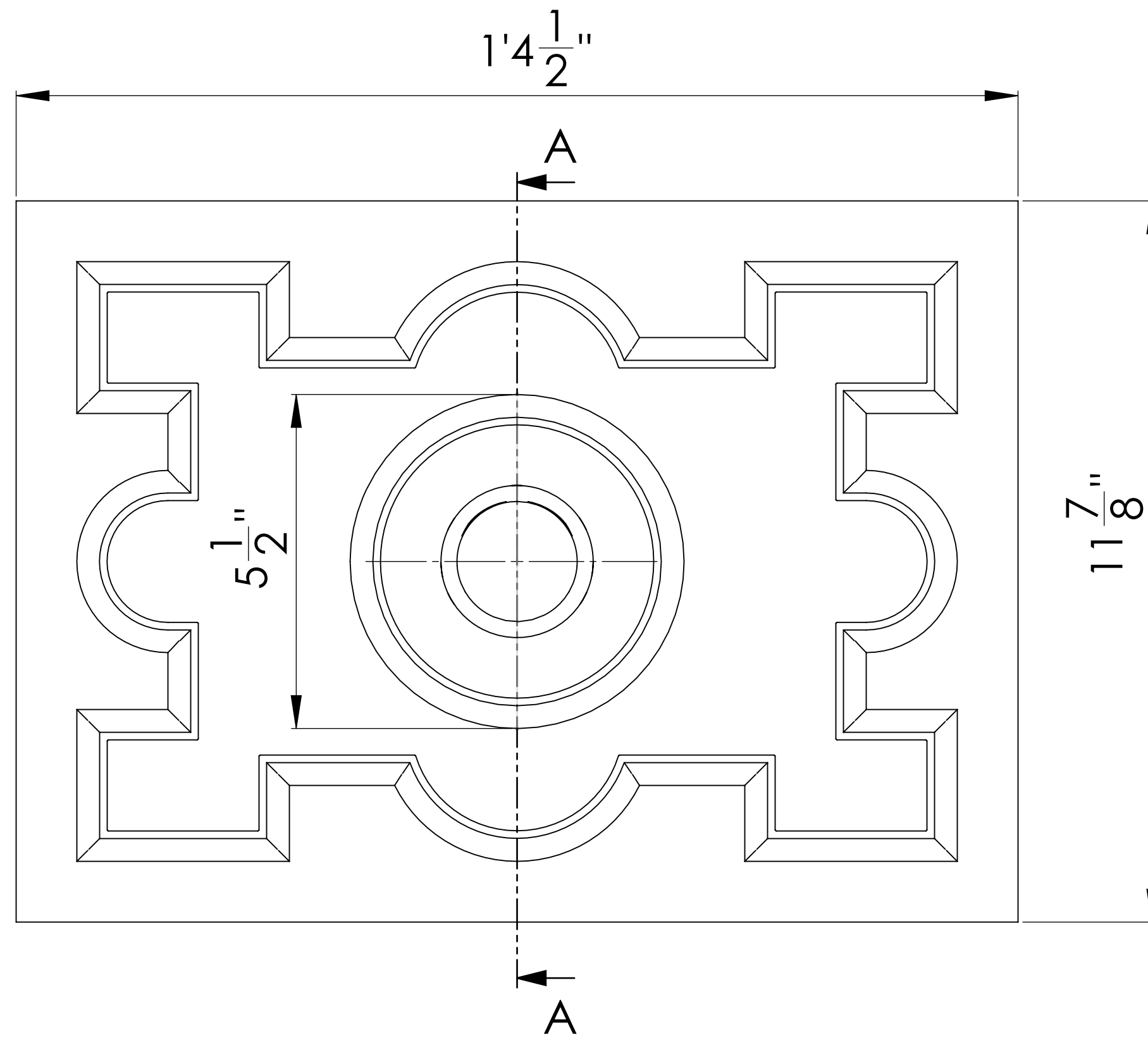


SECTION A-A



SPOUT AND ESCUTCHEON BEAUMONT $1'4\frac{1}{2}$ " X $11\frac{7}{8}$ ", **Bromsgrove Garden**