

8

7

6

5

4

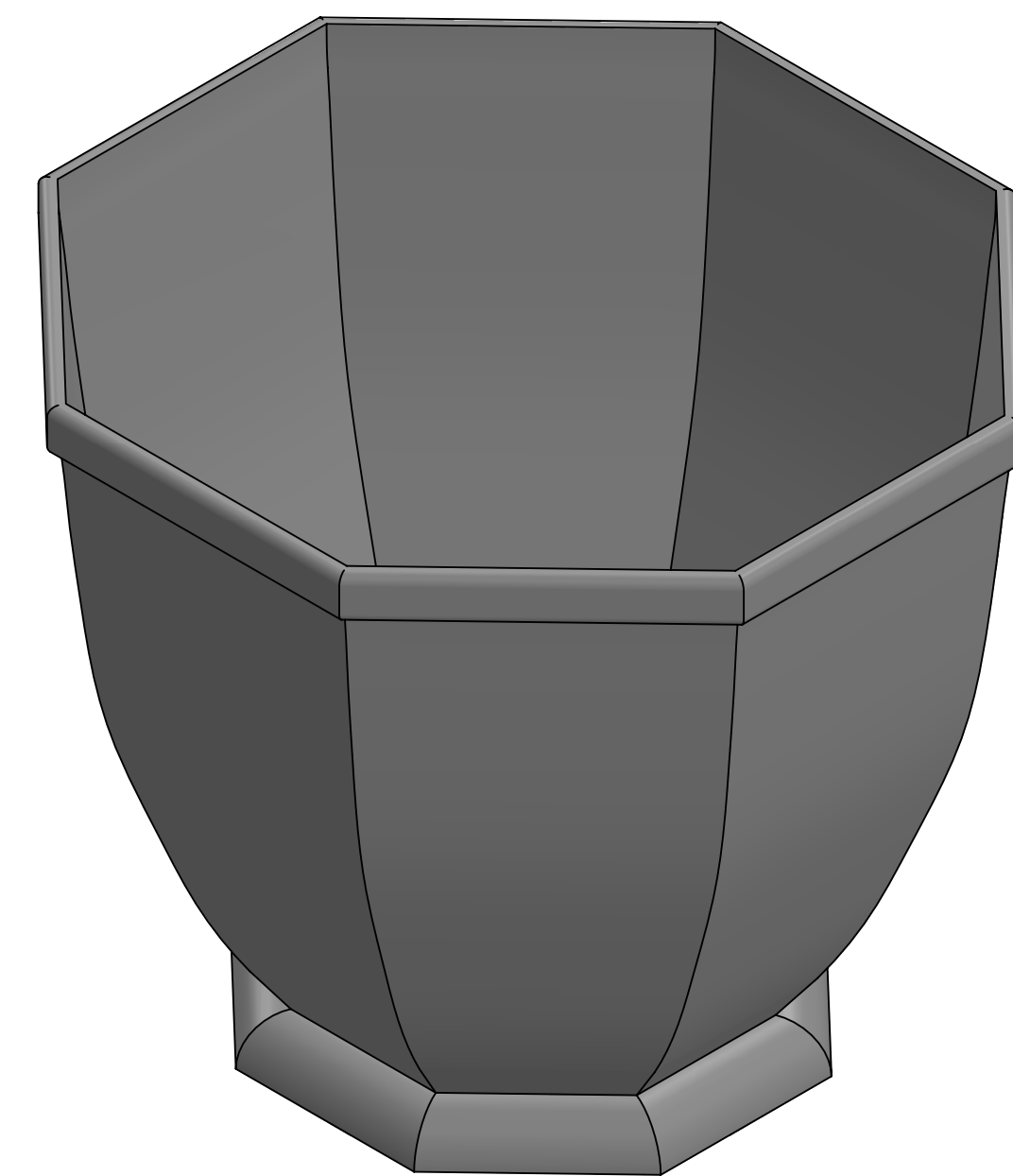
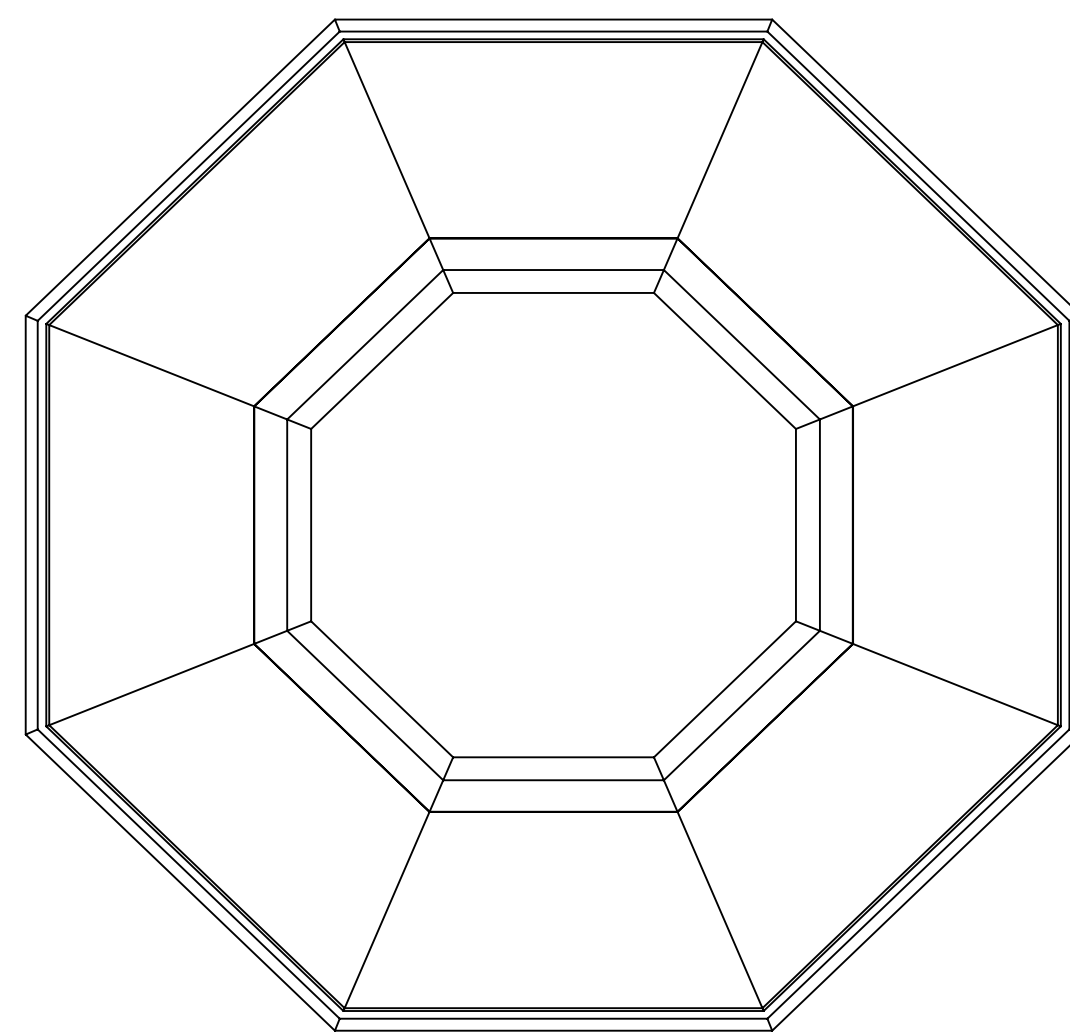
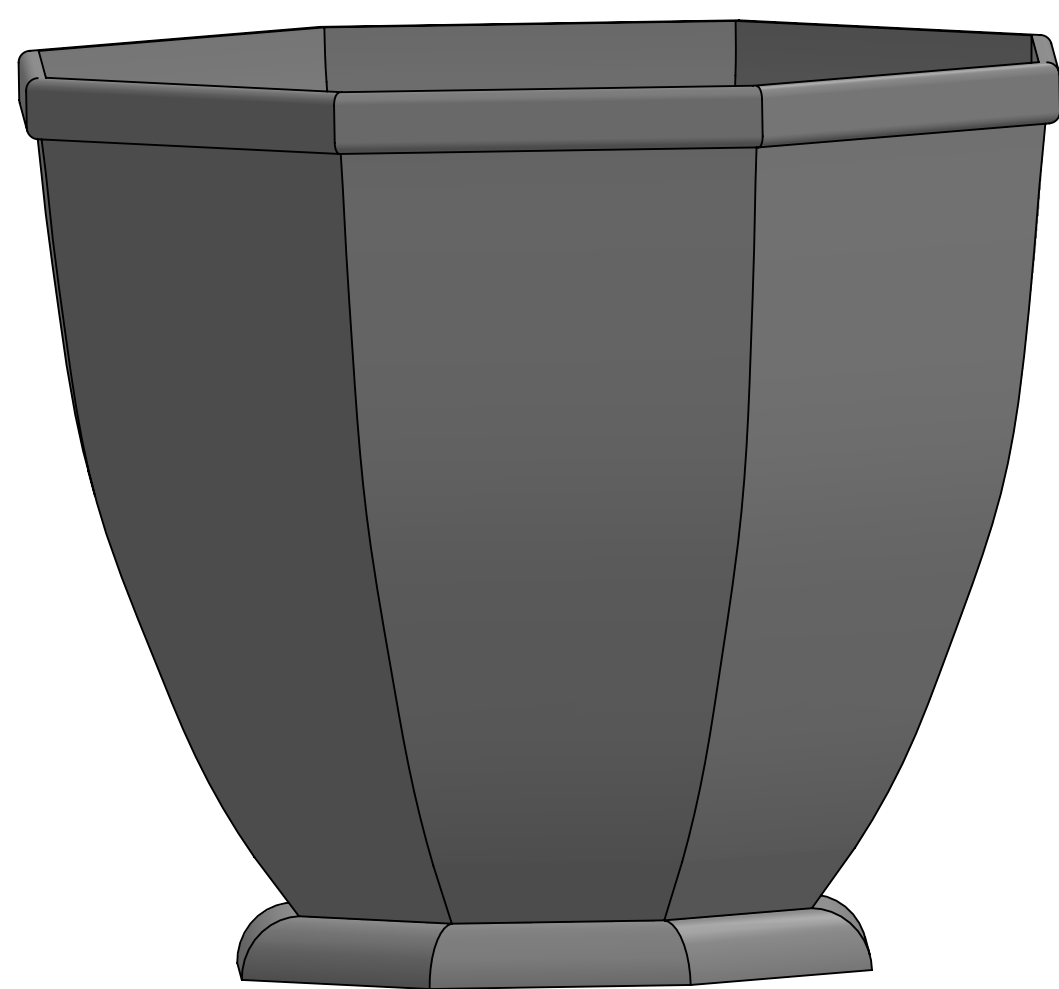
3

2

1

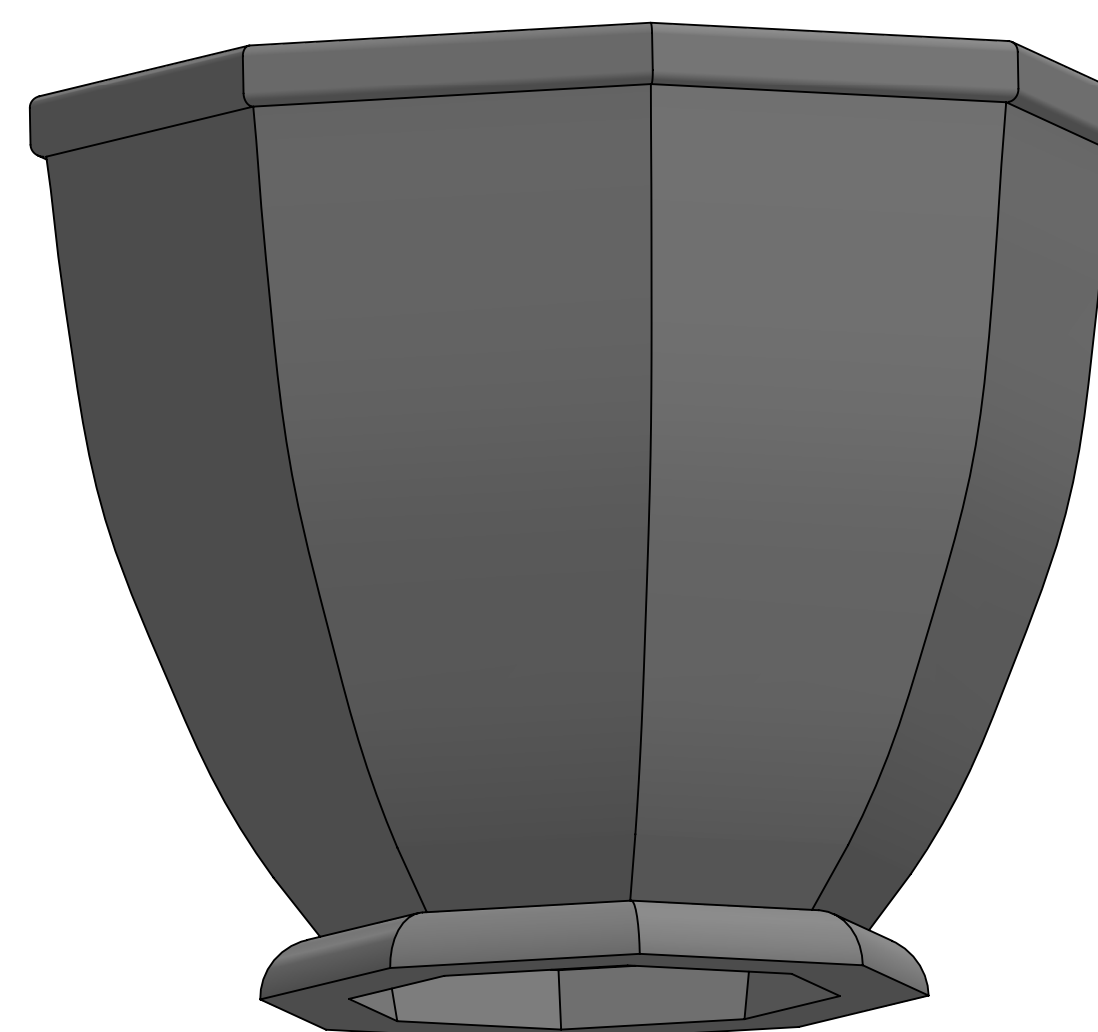
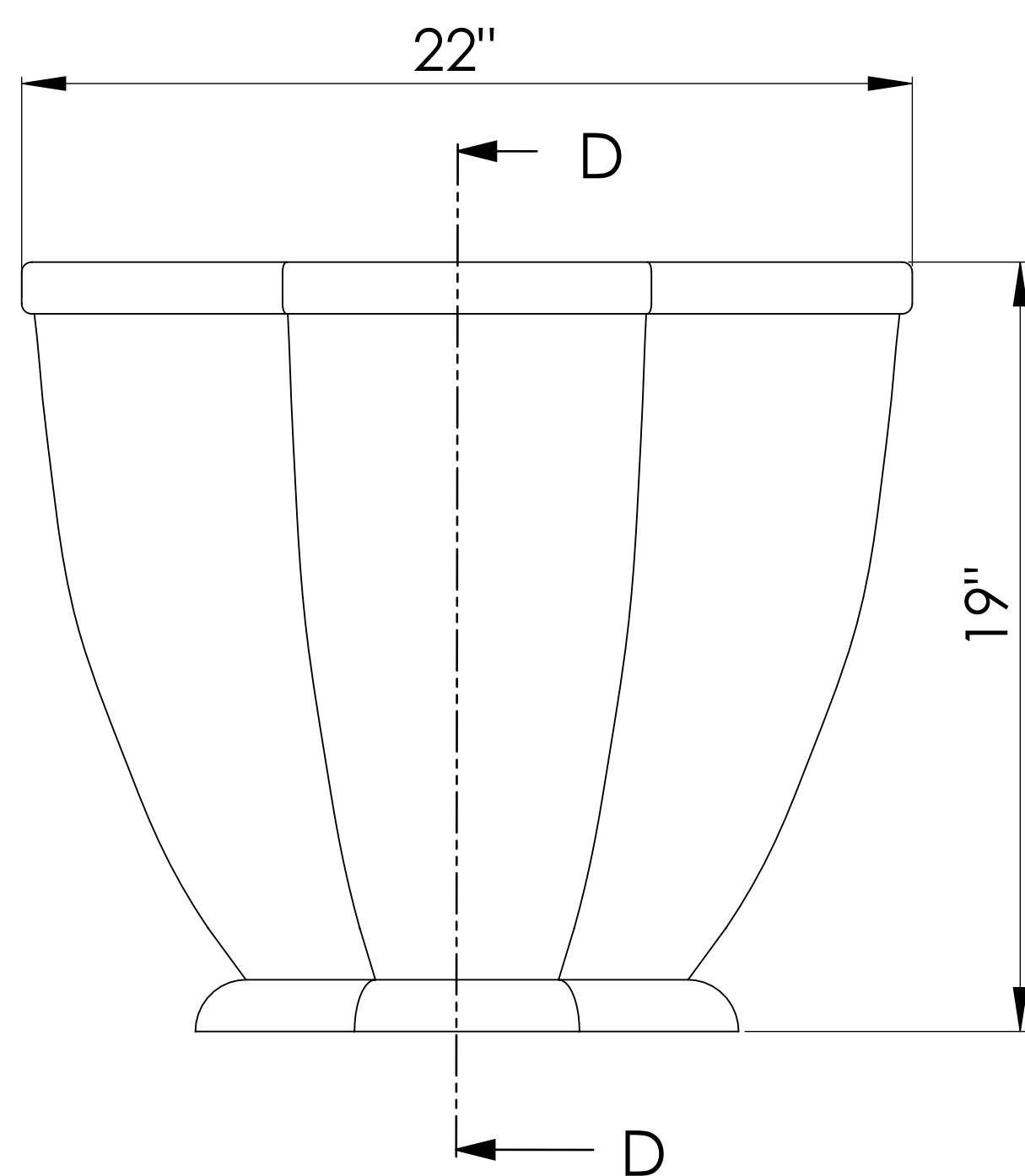
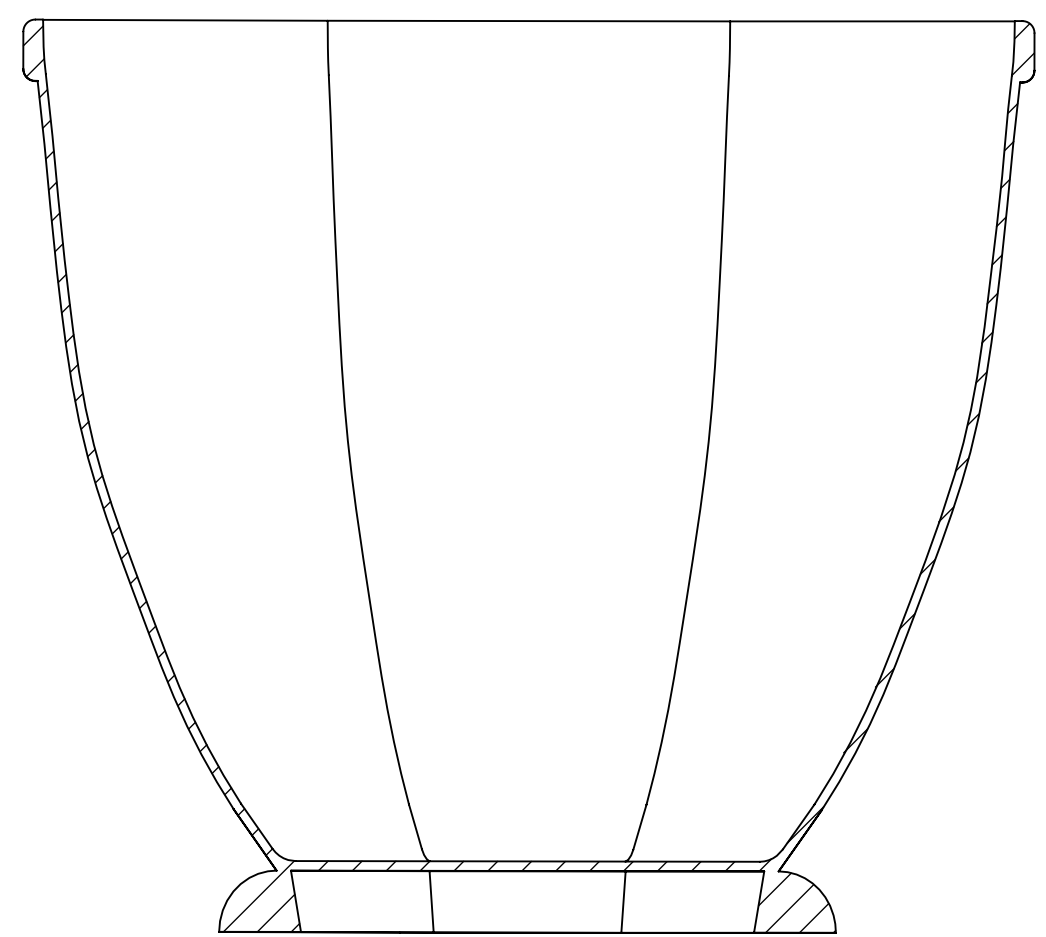
D

D



C

C



B

B

SECTION D-D  
SCALE 1 : 4

A

A

Plain Octagonal Urn 22 x 19H, Bromsgrove Garden

8

7

6

5

4

3

2

1