

8

7

6

5

4

3

2

1

D

D

C

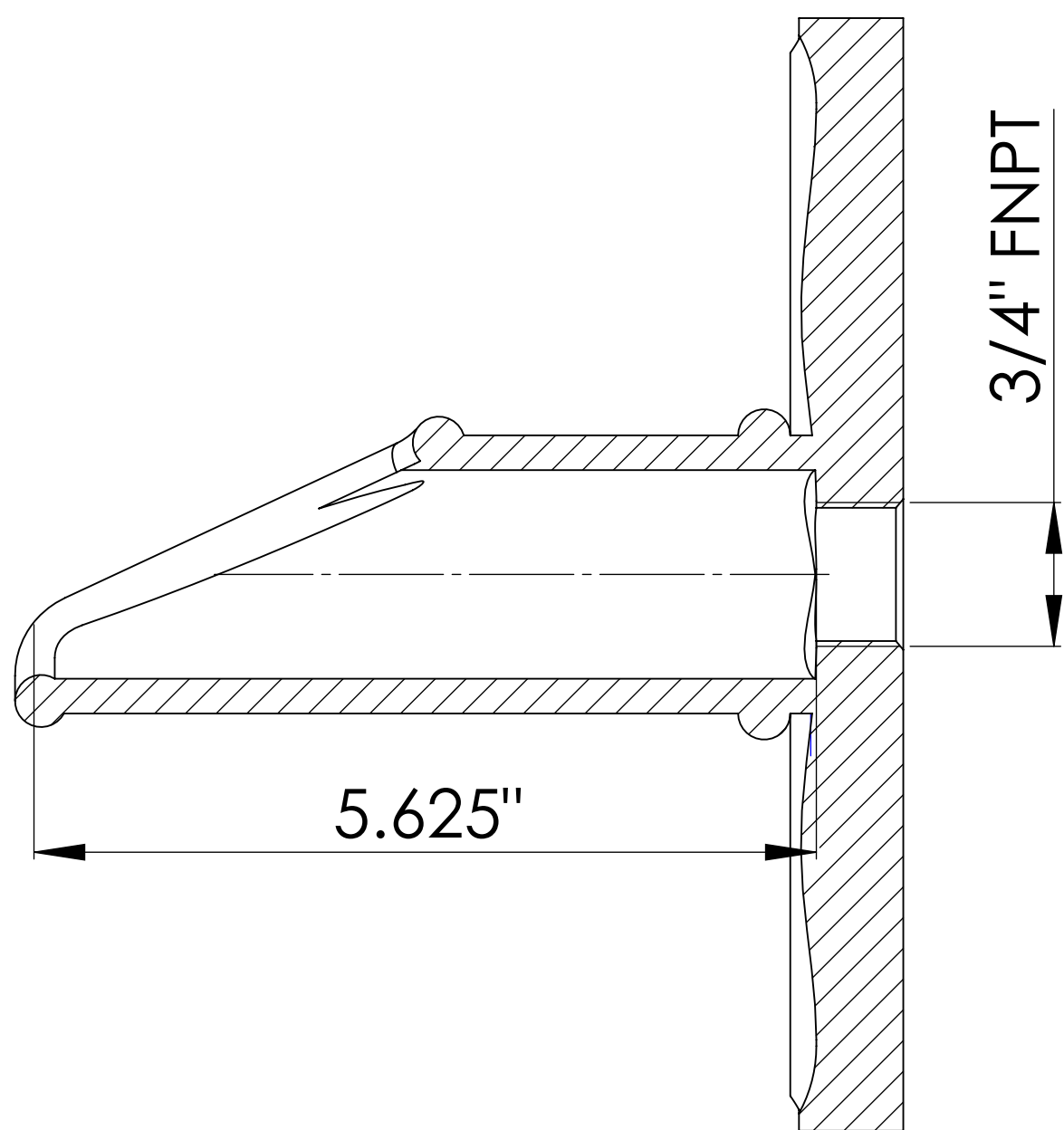
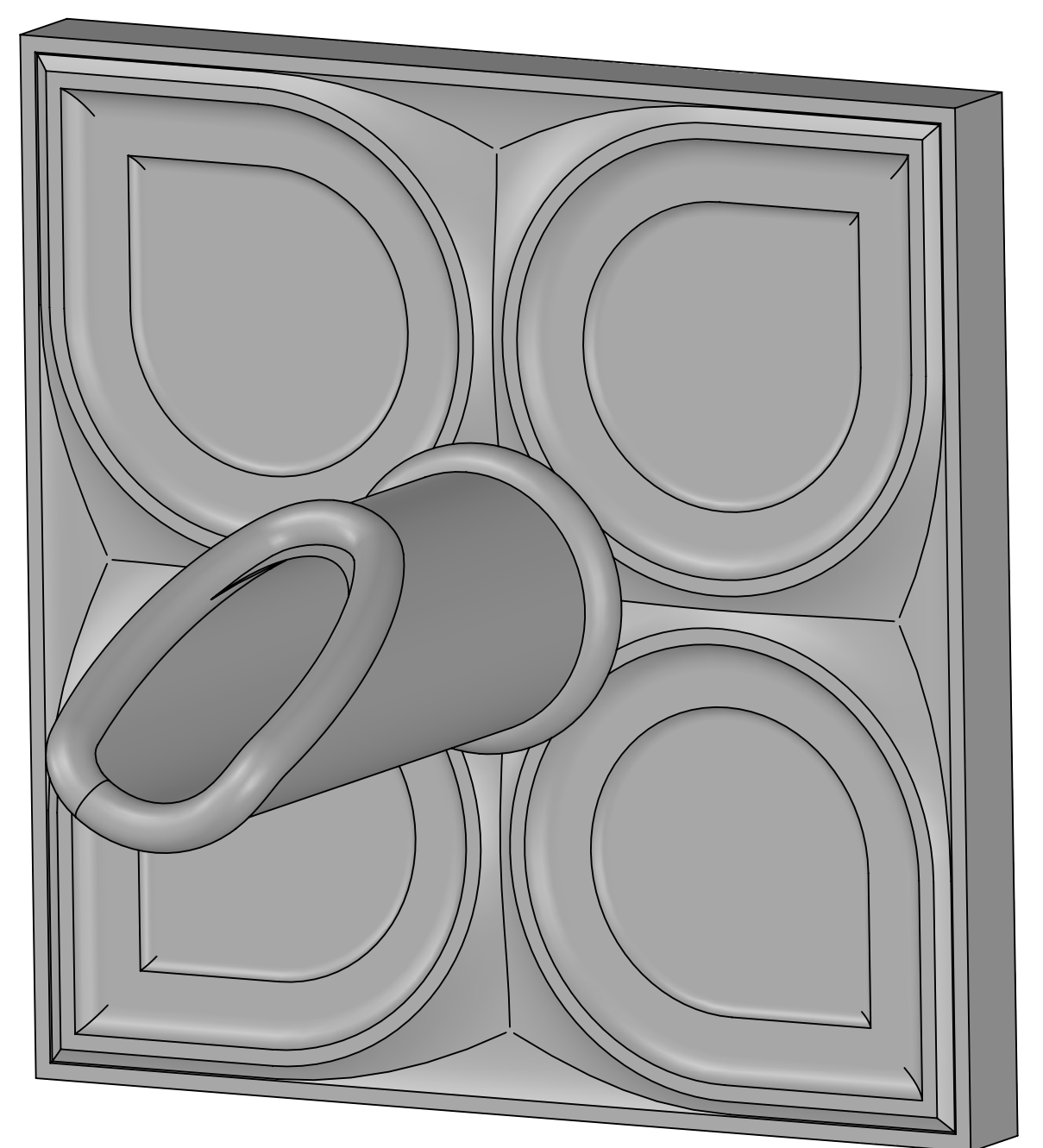
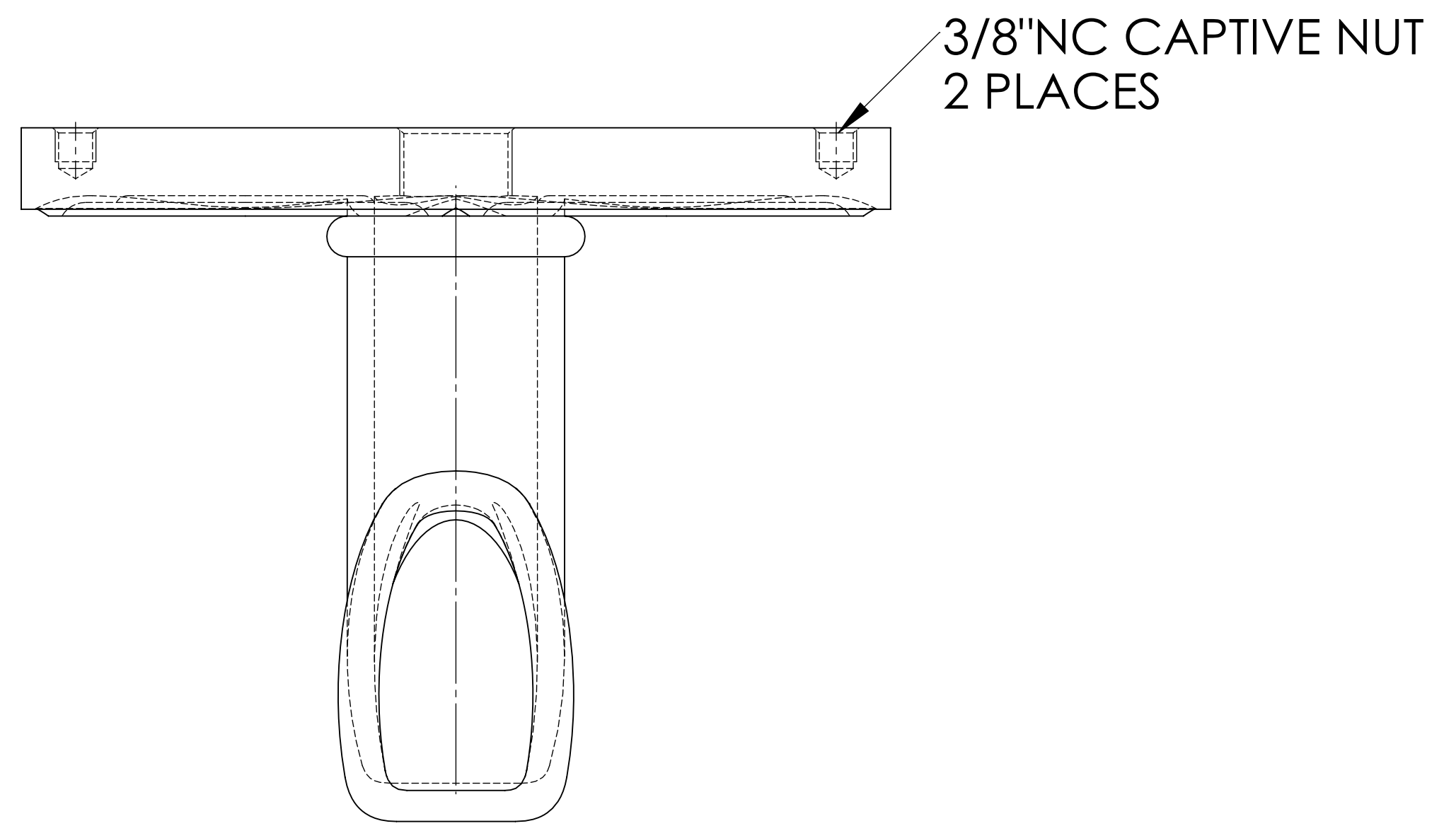
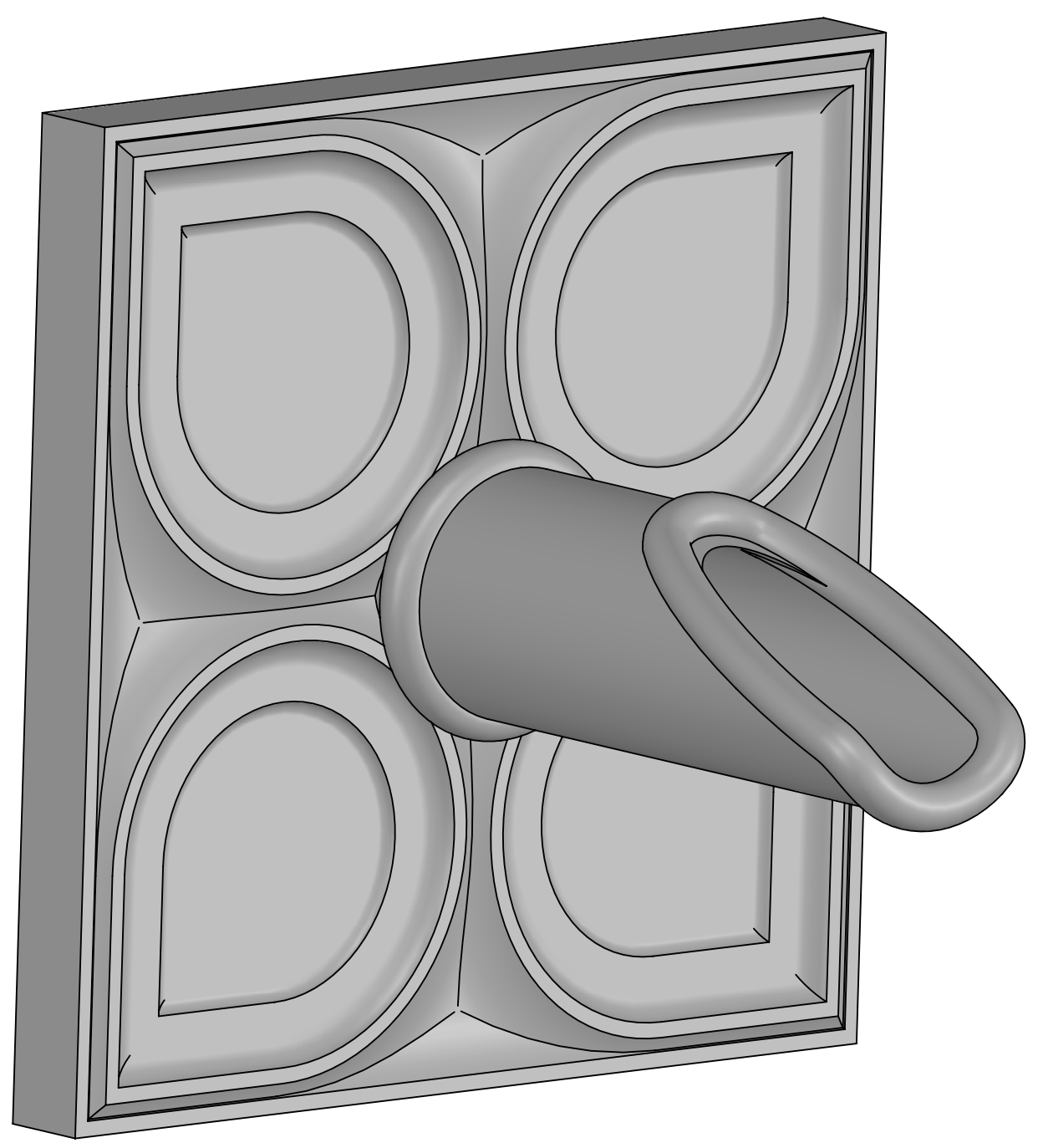
C

B

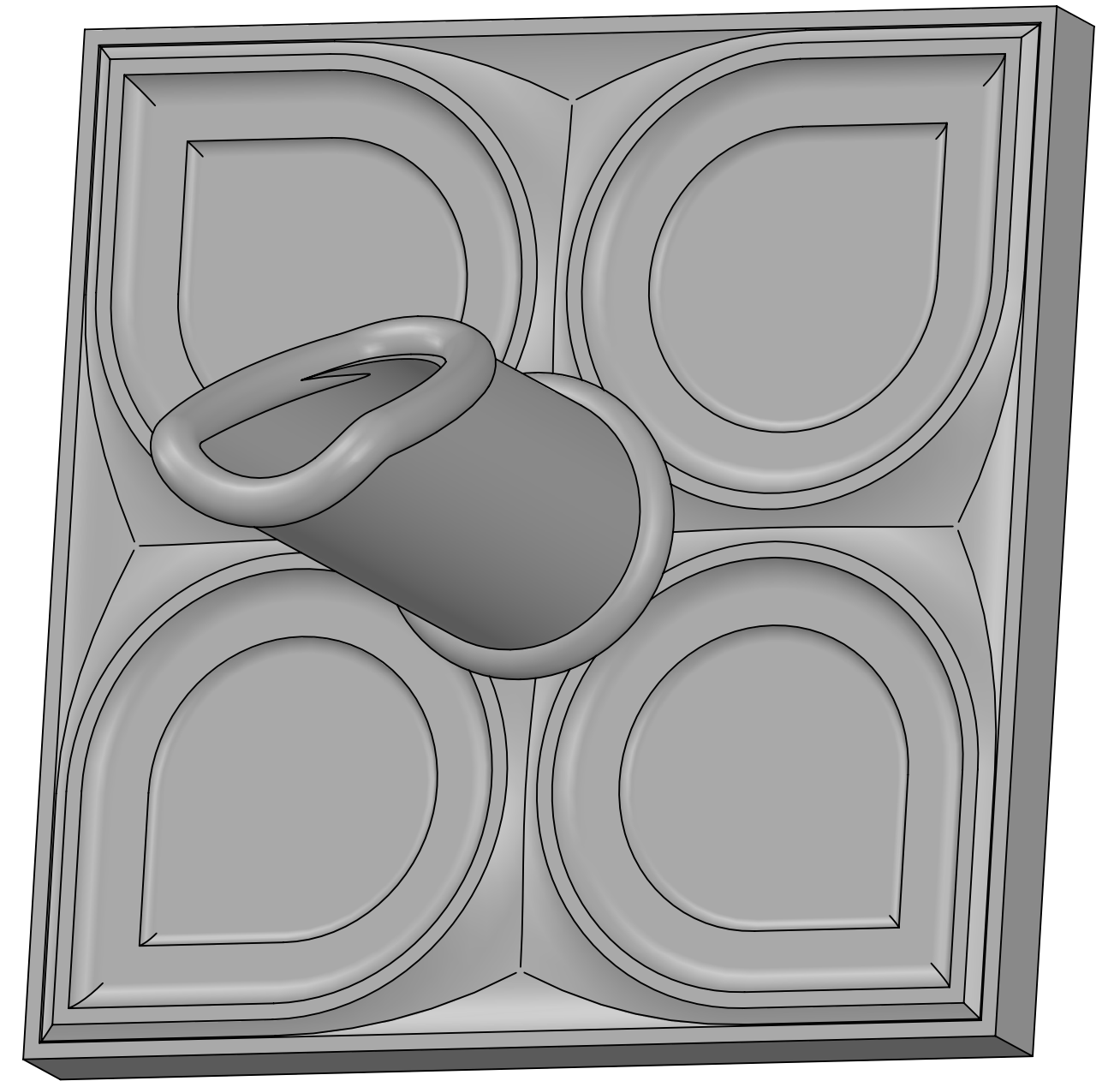
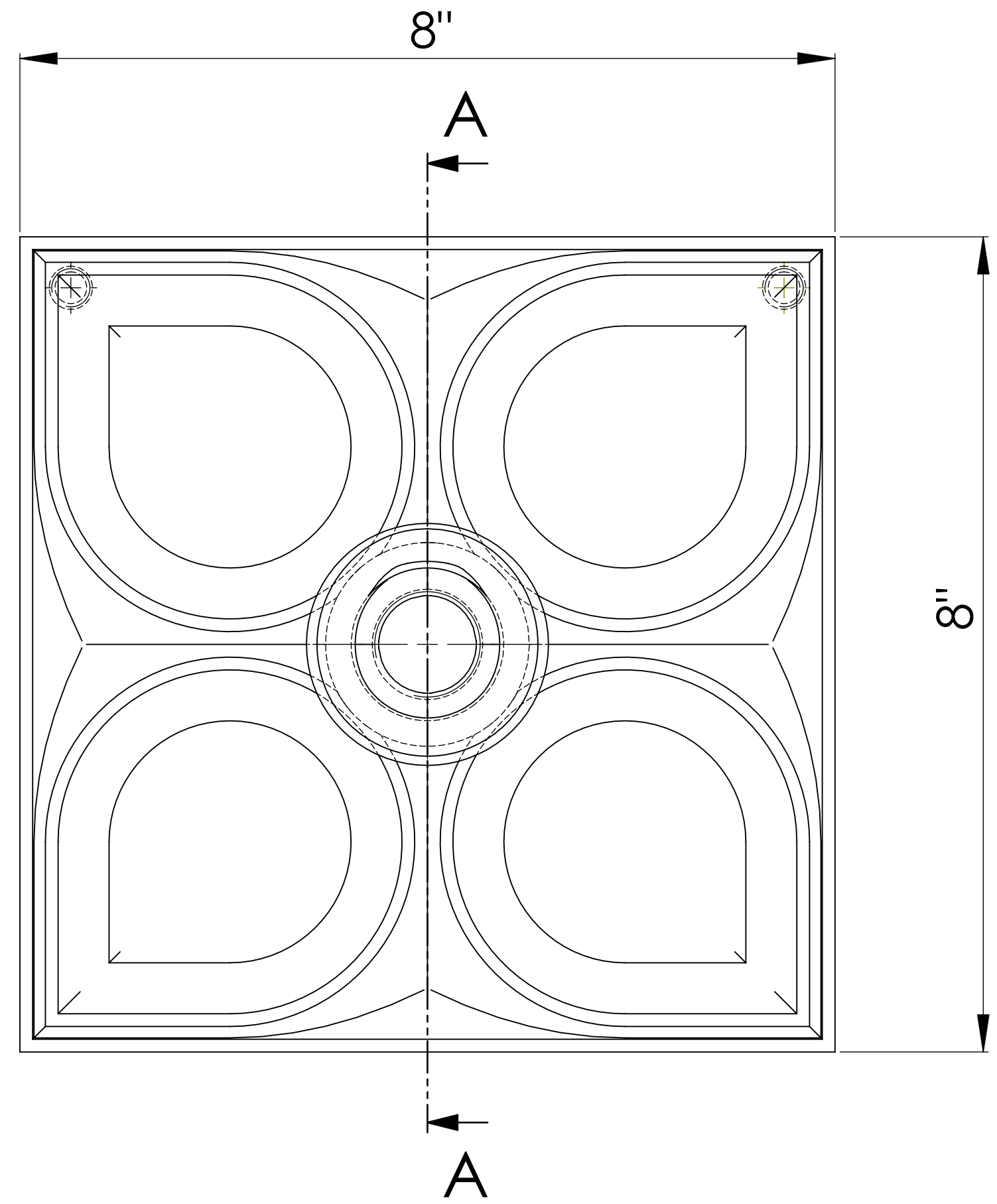
B

A

A



SECTION A-A



VAUGHAN ESCUTCHEON WITH SANFORD, Bromsgrove Garden

8

7

6

5

4

3

2

1

8

7

6

5

4

3

2

1

D

D

C

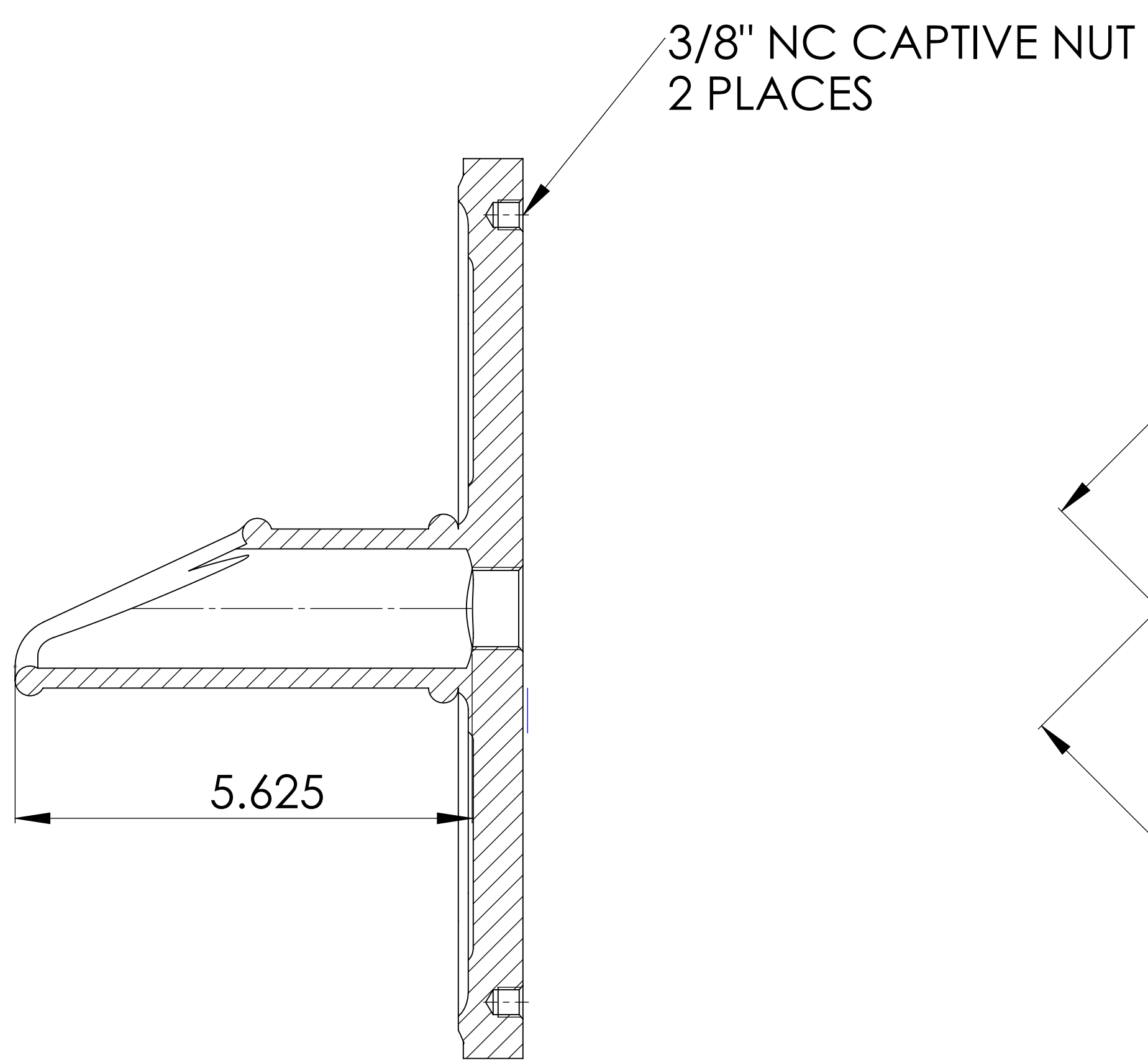
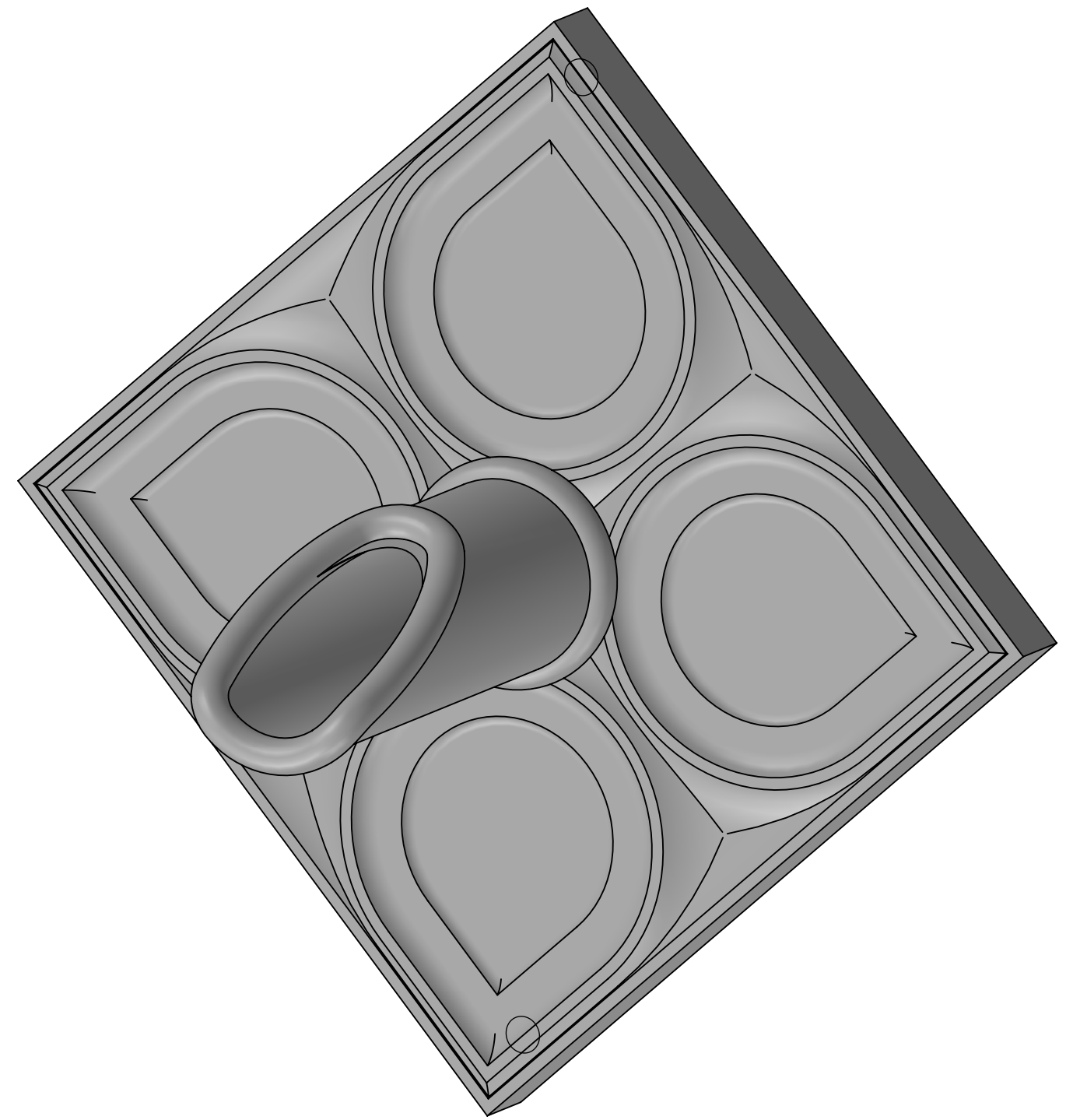
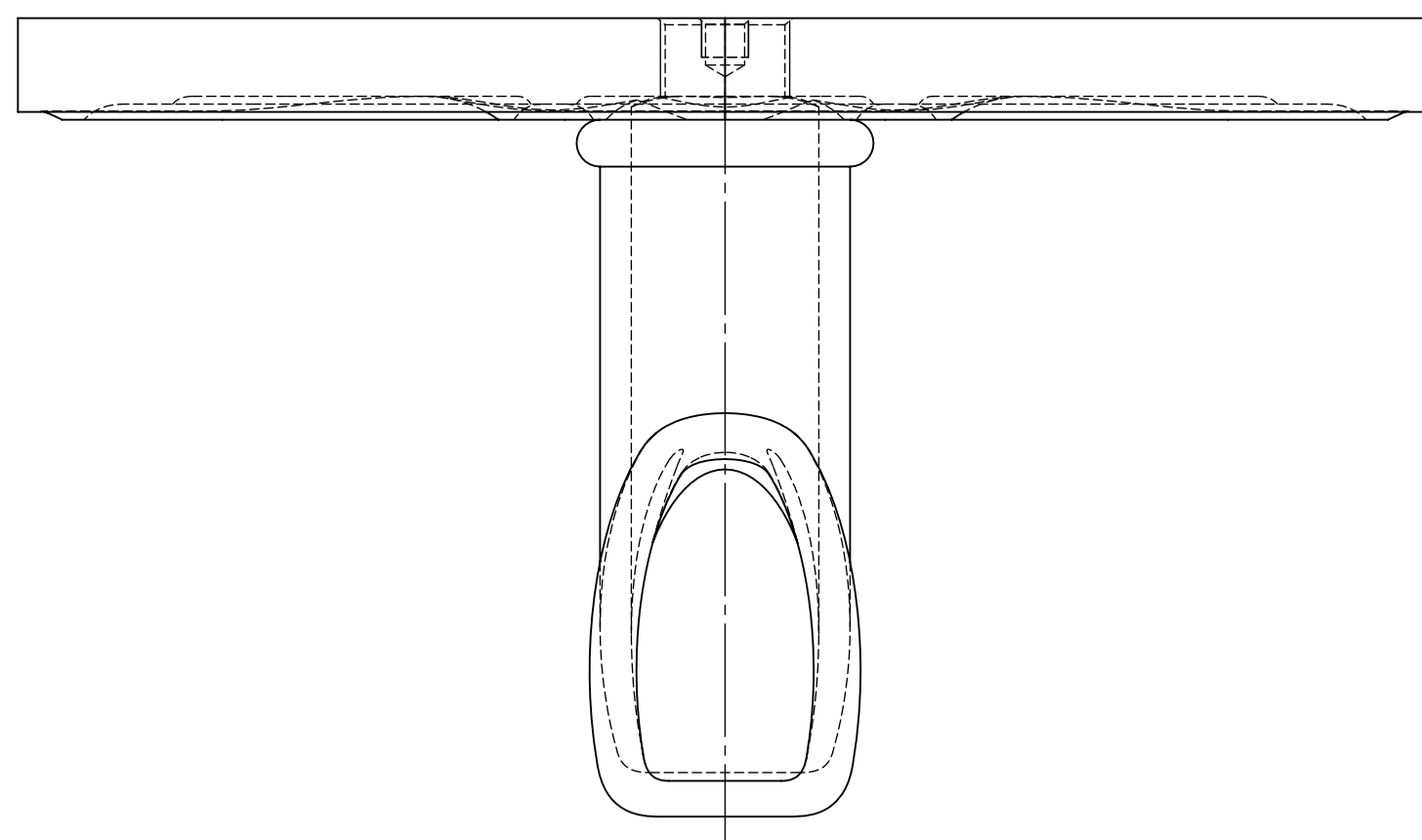
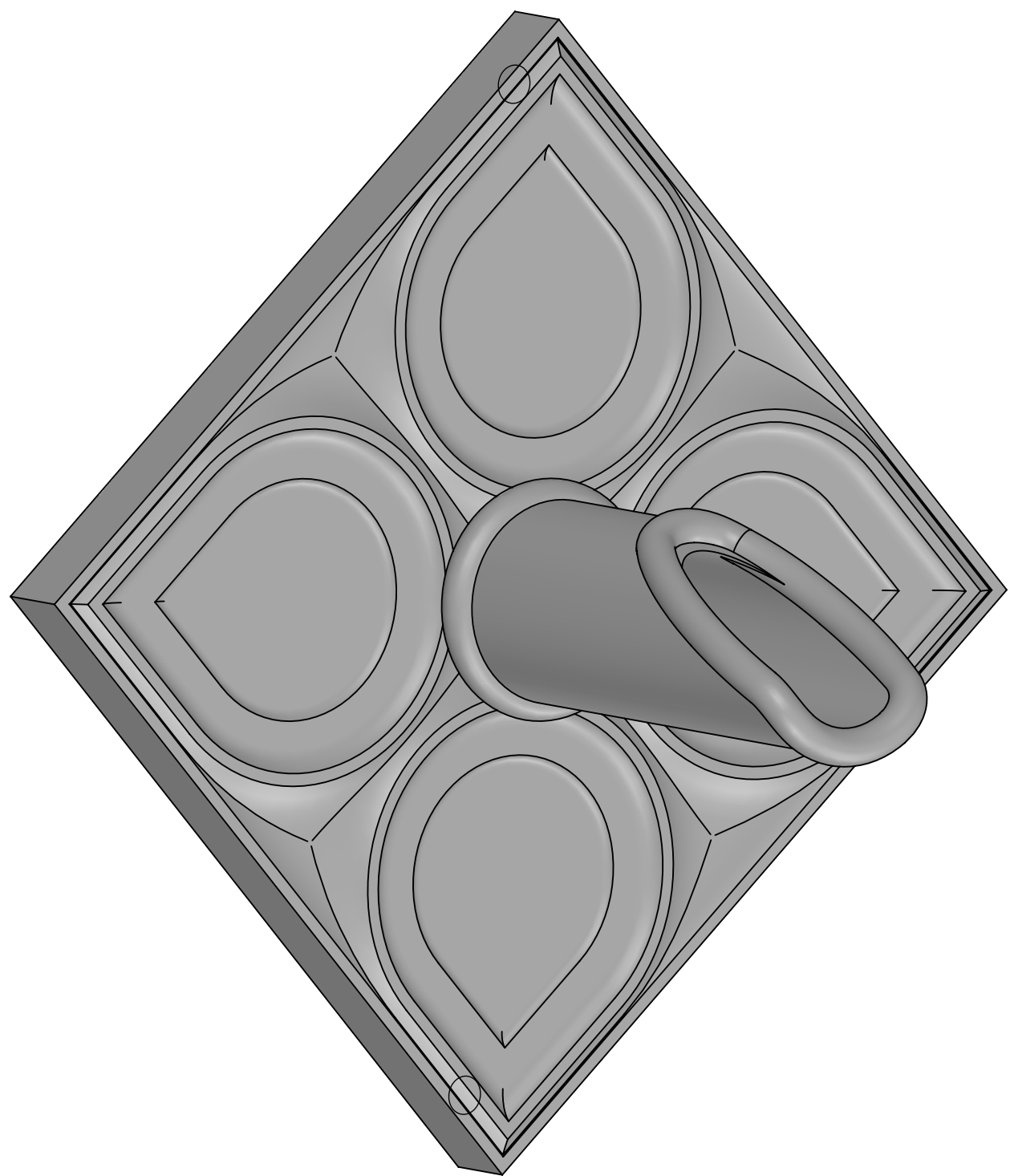
C

B

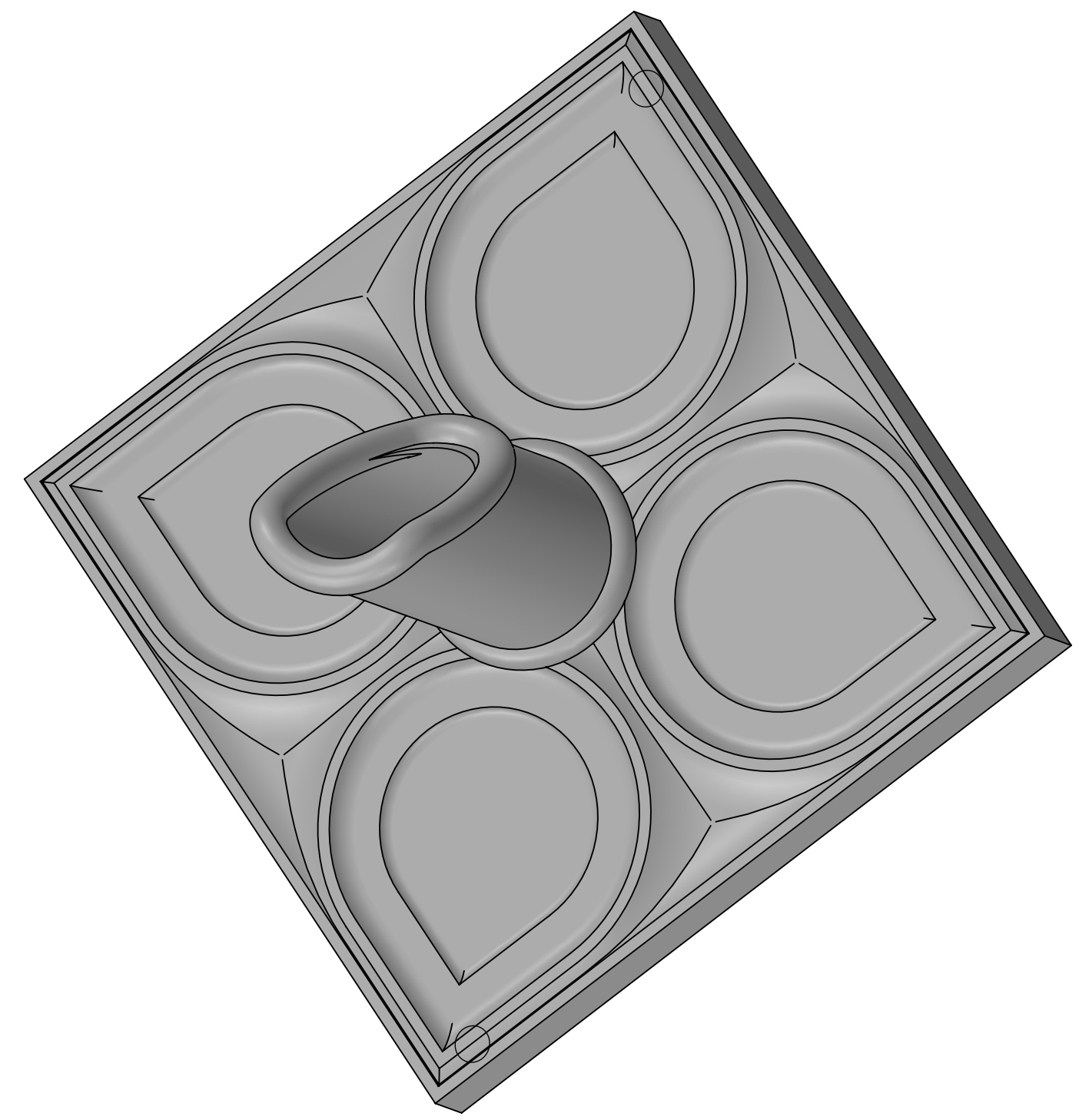
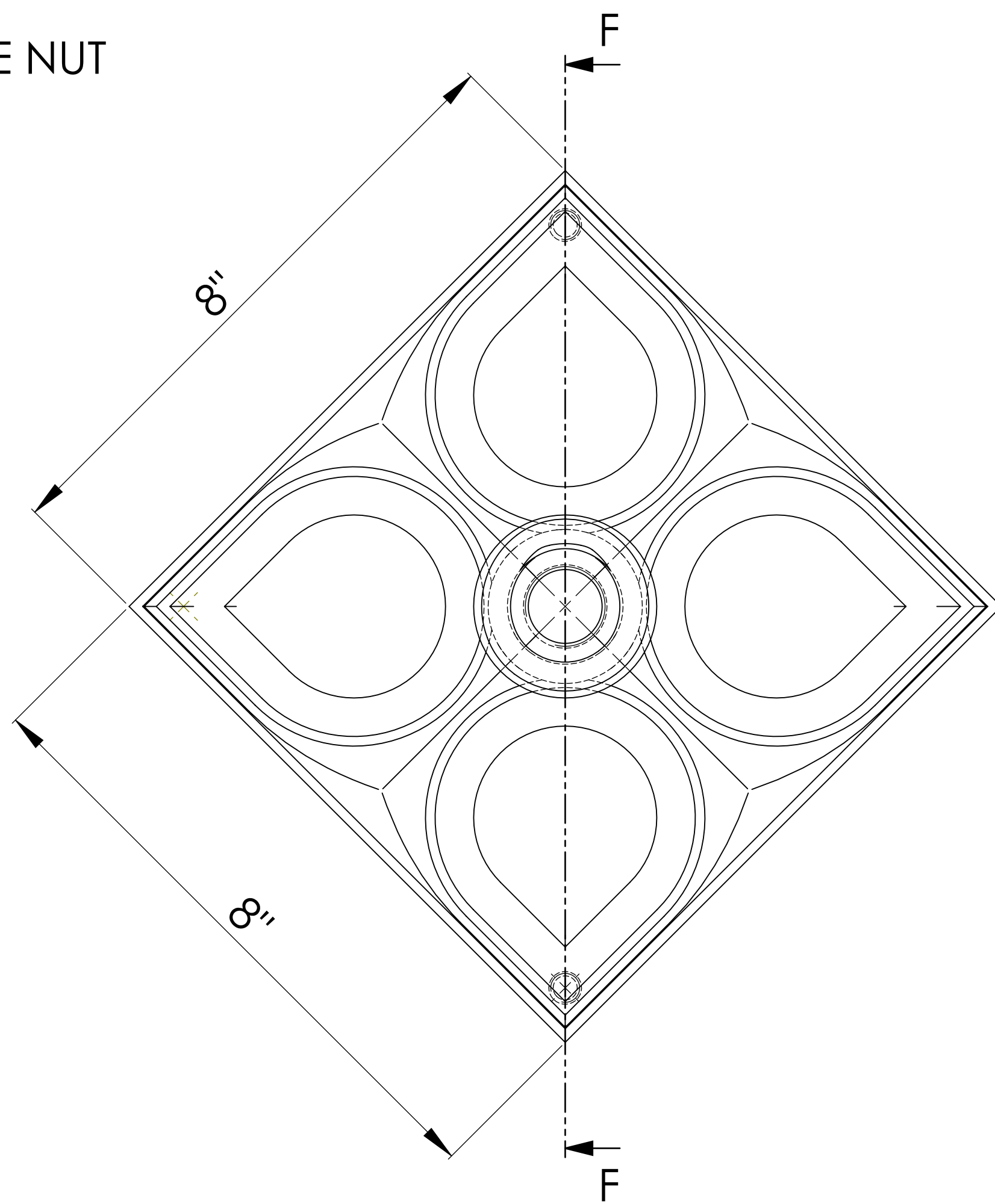
B

A

A



SECTION F-F
SCALE 1 : 1.5



VAUGHAN ESCUTCHEON WITH SANFORD 45 DEGREE, **Bromsgrove Garden**

8

7

6

5

4

3

2

1